

VISION

' YOUR SOLUTION PARTNER ON THE ARCHITECTURAL FACADE '

1

2022
2.print

CATALOG



1. About Us - Vision

2.

Products

- 2.1 Aluminium Joinery Systems
- 2.2 Aluminium Facade Cladding Systems
- 2.3 Transparent Spider Facade Systems
- 2.4 Ceramic Facade Cladding Systems
- 2.5 Composite Panel Facade System
- 2.6 Aluminum Decorative Mesh Coating
- 2.7 Applications off Folding Glass Balcony
- 2.8 Office Glass Partition Systems
- 2.9 Aluminum Railing Systems
- 2.10 Aluminum Solar Breaker Panells
- 2.11 Skylight Systems
- 2.12 Winter Garden Systems
- 2.13 Aluminum Sliding Systems
- 2.14 Guillotine Joinery & Pergola Systems
- 2.15 Rolling Roof Systems
- 2.16 Bullet Proof Systems
- 2.17 Steel Joinery & Door Systems
- 2.18 Roller Shutter & Shutter Systems

3. Projects

ABOUT US

We as 'Soykan Aluminum' have been working with a **14 years of industry experience** since 2008. Our work contains; projects and final projects of aluminum curtain walls, facade cladding, joinery systems and glass systems.

We carry out our work with a sense of responsibility and with love. Soykan aluminum has been showing steady growth with its **professionalism, creativity and marketing development characteristics** that have been ongoing since its establishment. We **continue to be a leading company in our field** by closely following the developments in the sector. Our company, which continues to implement major engineering & architectural projects, will **continue to sign pioneering and exemplary projects** in the entire region of the World since its establishment.



PRODUCTS -VISION

TECHNICAL SPECIFICATIONS

- In the system, the vertical and horizontal profiles are different and have a condensate channel.
- Horizontal profiles are connected by a dovetail system.
- Su tahliyesi, kondens kanallarıyla sağlanmaktadır.



1. CLAMSHELL FACADE SYSTEM

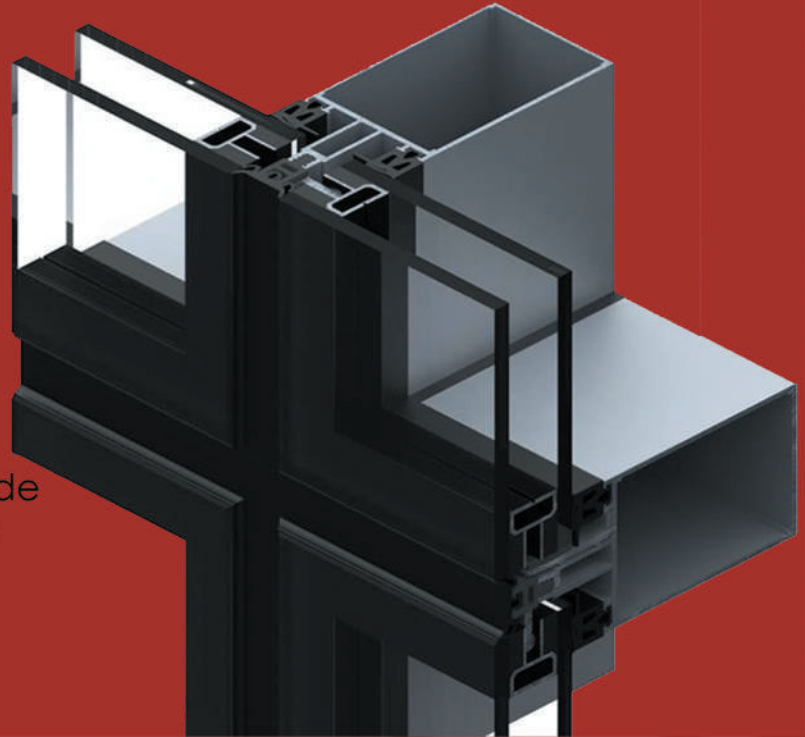
A characteristic feature of this system, also called the classic clamshell facade system, is the appearance of aluminum profiles from outside the facade. Caps have many different geometric cross sections.

- FACCADE SYSTEMS



- FACADE SYSTEMS TECHNICAL SPECIFICATIONS

- In the system, the vertical and horizontal profiles are different and have a condensate channel.
- Horizontal Profiles are connected by a dovetail system.
- Water drainage is provided by condensate channels.
- 16 mm horizontally and vertically between the windows on the facade when viewed from the outside dec joints appear on epdm wick glass glass in width.



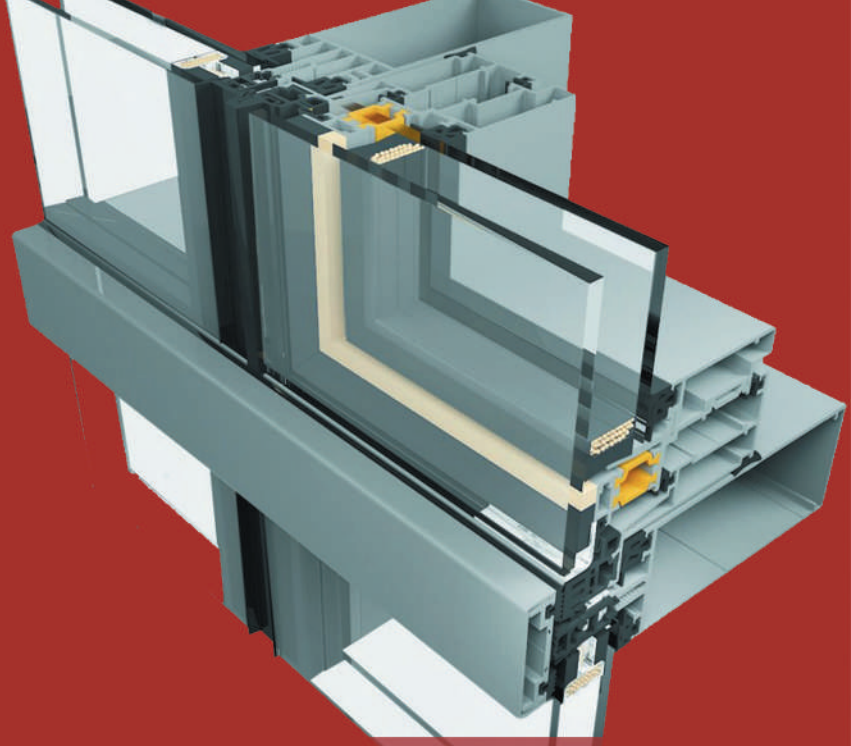
2. STRUCTURAL SILICON FACADE SYSTEM

The characteristic feature of structural silicon facade systems is that it is, the absence of the appearance of aluminum profiles.

For the desired appearance of a completely glass surface, structural silicon facade is applied.

TECHNICAL SPECIFICATIONS

- In the system, the vertical and horizontal profiles are different and have a condensate channel.
- Horizontal profiles are connected by a dovetail system.
- Su tahliyesi, kondens kanallarıyla sağlanmaktadır.



3. SEMI - CAPPED FACADE SYSTEM

In this system, one of the vertical or horizontal profiles is covered. Upon request partially could function as a sunblock, depending on when it is used horizontally.



1. NON - THERMAL INSULATION

Economical and easy application of non-thermal insulation it has the feature of double axis, pull october, folding, pivot window openings for both face and mounted wings.

It can be opened inside and out. In response to the lock, the slider mechanisms such as hinges are easier to implement and have a face-mounted design are prominent features. Threshold solutions, inward and outward opening feature, the compatibility of the window system with the middle register and the november makes the system even more functionable.



2. HEAT-INSULATED JOINERY SYSTEM

Economical and easy application of thermal insulation it has the feature of double axis, pull october, folding, pivot window openings for both face and mounted wings.

It is a joinery system that stands out with its PVC design for window mechanisms the airfoil is included in the system.



3. BULLET PROFF JOINERY SYSTEM

It is an uninsulated door and window system.

November and wing depth: 104mm

Profile wall thickness: 3.5mm

Glass Gap: 45mm

It is suitable for the manufacture of normal windows, spaniolet opening doors, vasistas windows, joinery.

Because of EPDM wicks, it has the property of sealing air, water and dust.

It is an insulated pop-up joinery system that provides ballistic strength thanks to its strong profiles.

The external profiles of the system are 10 mm steel filled profiles inside.

The wing carrying capacity is high because of the special size hinge and the safety glass bar.

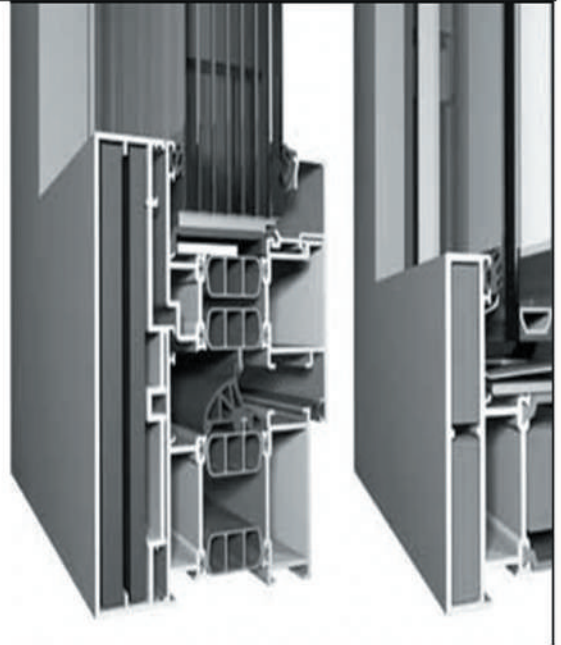
It has the FB7 anti-ballistic class.



PRODUCTS -VISION

4. FIRE RESISTANT JOINERY SYSTEMS

All Fire-Resistant Aluminum Systems besides its functionality, 60 or 90 minutes it minimizes the area of spread of fire throughout. In the area of the fire, the door shall be stationary, whole and heat-insulating and this will be done according to the standards of the characteristics it must be proven by tests.



5. MINIMAL SLIDING JOINERY

In November minimal system, the side case and the bottom case can be completely embedded in the november. In this way, 20% more transparent area and land-landscape view are provided than more standard systems.

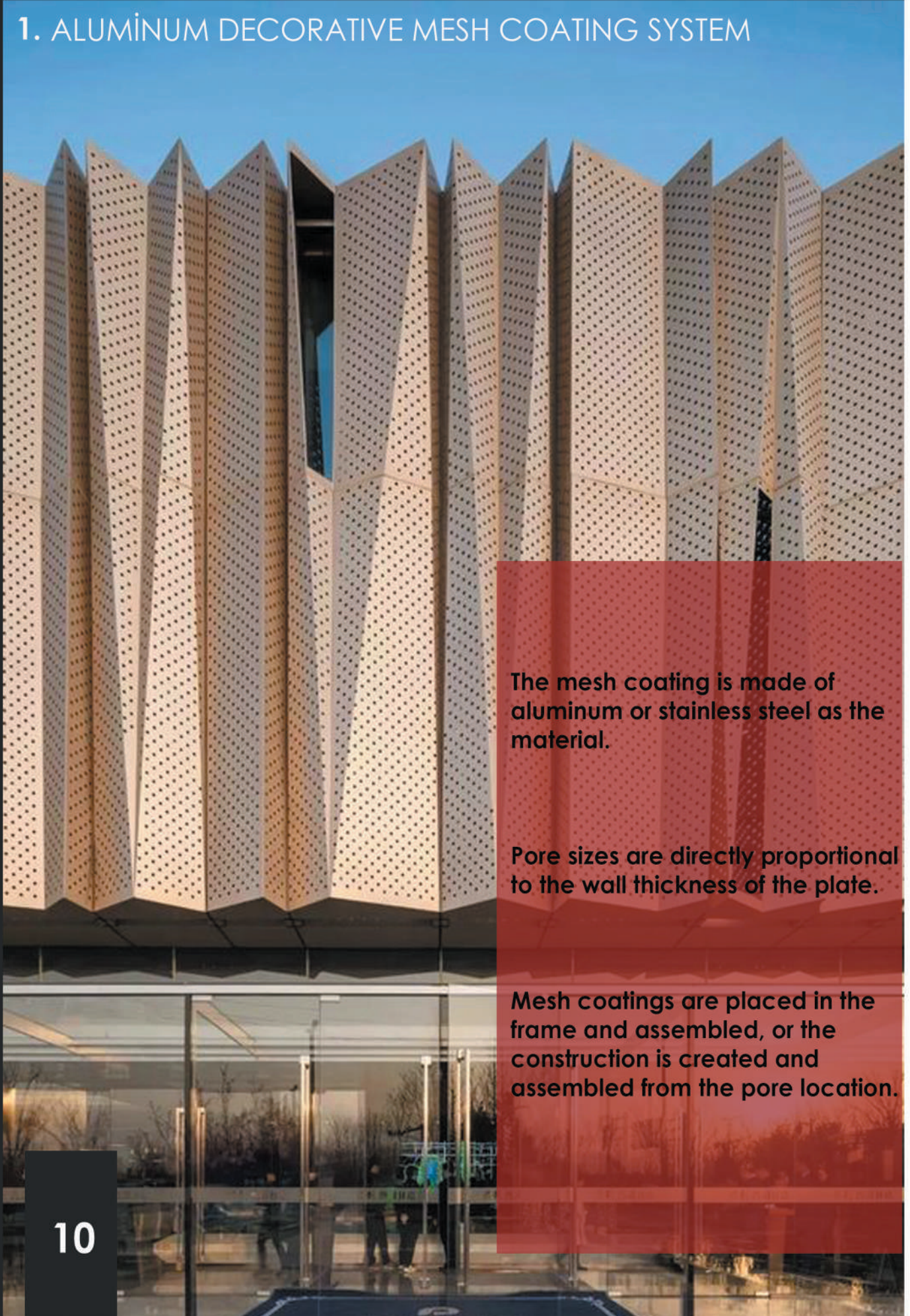


1. ALUMINUM DECORATIVE MESH COATING SYSTEM

The mesh coating is made of aluminum or stainless steel as the material.

Pore sizes are directly proportional to the wall thickness of the plate.

Mesh coatings are placed in the frame and assembled, or the construction is created and assembled from the pore location.



1. CERAMIC FACADE CLADDING SYSTEMS

Ceramic facade cladding is made by gluing or hiding granite ceramics produced that are, in different and color textures on the lower construction.

The ceramic sizes can be designed according to the customers request.

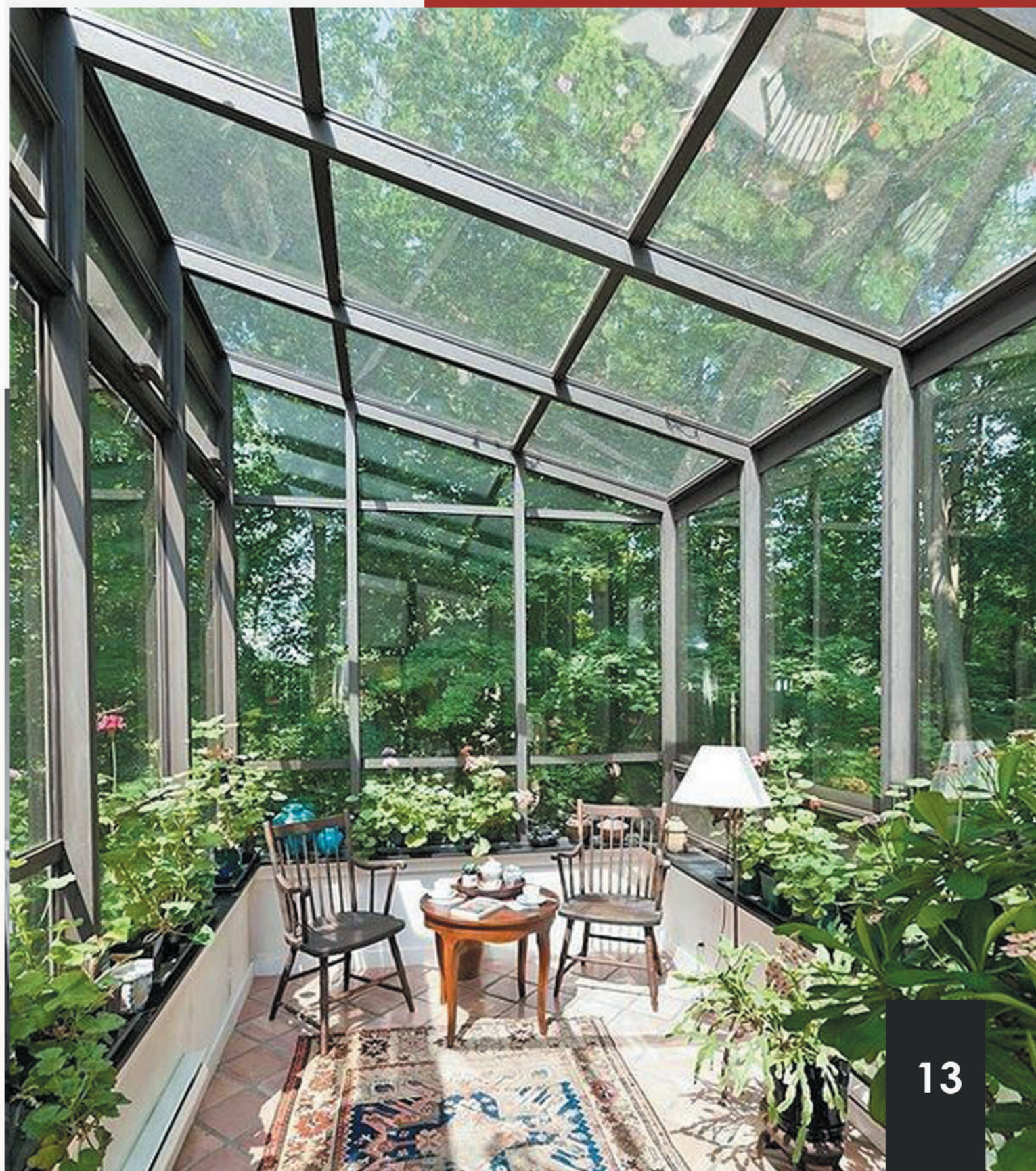
PRODUCTS -VISION

1. SKYLIGHT SYSTEMS

In modern architectural building roofs, skylight is a solution for the natural lightning problem and it is also a aestetich architectural solution.



1. WINTER GARDEN SYSTEMS



PRODUCTS -VISION

1. ROLLING ROOF SYSTEMS

It provides natural ventilation to every point of the space because of the fan movement.

The panells can be opened in every angle, and they will provide the maximum ventilation + lightning.

Rolling roof systems are very common used in areas like ' coffe shops, resturants'.

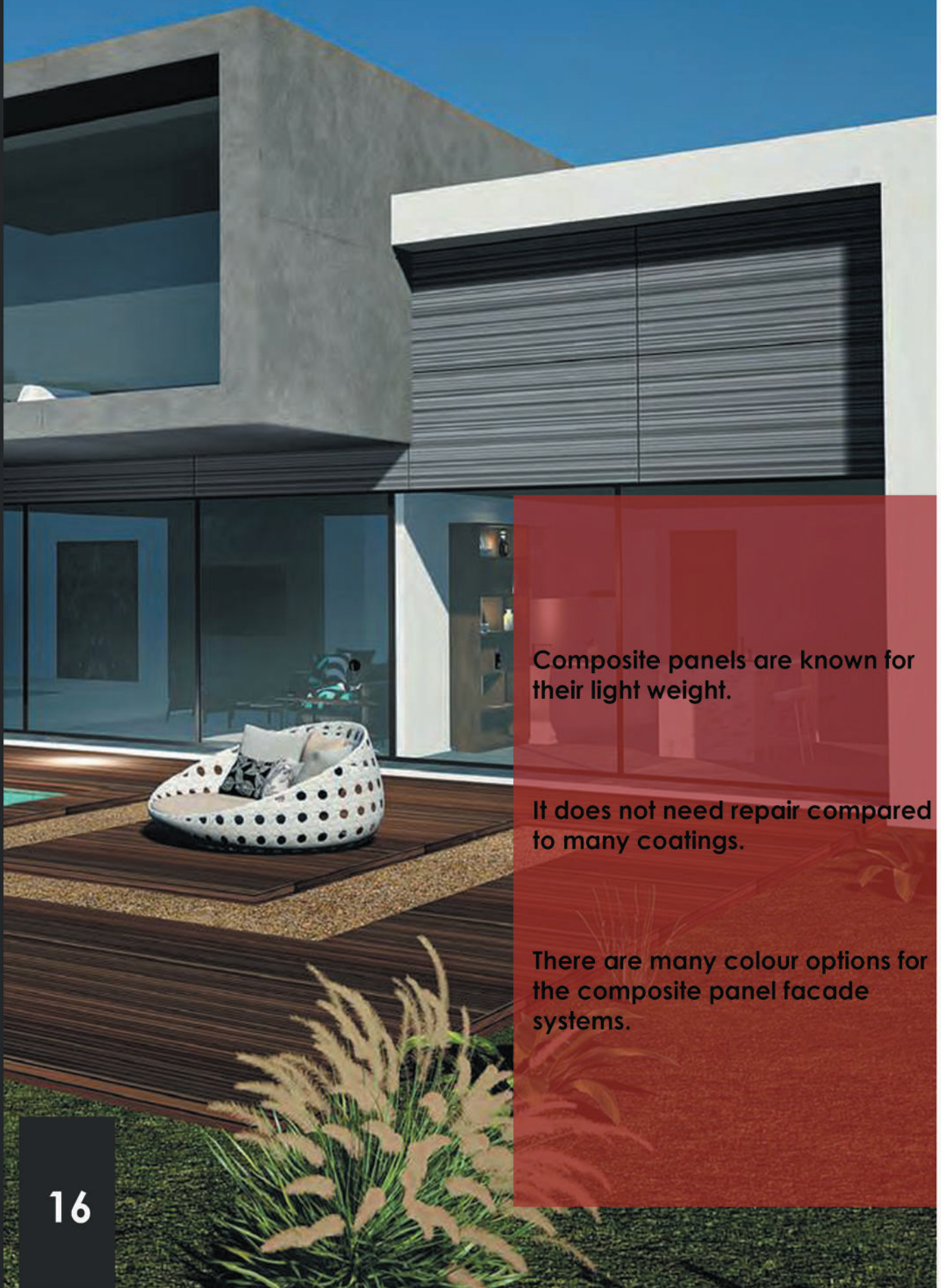




1. ALUMINUM RAILING SYSTEMS



3. COMPOSITE PANEL FACADE SYSTEMS



Composite panels are known for their light weight.

It does not need repair compared to many coatings.

There are many colour options for the composite panel facade systems.

4. TRANSPARENT SPIDER FACADE SYSTEMS

In the spider facade system, glasses can be used as laminated or laminated glass.

According to the architectural reference; construction can be made horizontal or vertical. Stainless spider holders can be designed in different forms according to the project.

HOUSING PROJECTS

- 00 Vadi Istanbul Housing Project
- 01 Teknik Structure, Metropark Housing
- 02 Newista Residence
- 03 Bagdat Street, Ramazanoğlu H.
- 04 Bagdat Street, Gözüpek Construction
- 05 Gaziantep, Villa Projects
- 06 Relux RFF 35
- 07 Relux RSO 50
- 08 Piyale Paşa
- 09 Sarıyer, Villa Project
- 10 Kasrı Ala Çengelköy
- 11 Ramazanoğlu Apartments, Goztepe
- 12 Totan Construction, Bostancı

COMMERCIAL BUILDING PROJECTS

- 00 Levent, Industrial Business Center
- 01 TEM 34 Commercial Center
- 02 Landscape Works Headquarters Building
- 03 Proslime, Atasehir Business Center
- 04 Magma Automotive Factory
- 05 Ardahan, Golet Commercial C.
- 06 Sakarya, İşkur Building
- 07 Levent, Promesa/ŞekerBank

COMMERCIAL BUILDING PROJECTS

- 08 Makyol Central Project
- 09 Diyarbakır Airport
- 10 Emlak Konut Headquarters
- 11 Via West Corlu Commercial Center
- 12 Cerkezkoy Samsung Factory
- 13 Blue Lake, Sales Office
- 14 Alsin - Alarko Water Treatment Facility
- 15 Tamız Construction
- 16 Algeria, Subway Project
- 17 Ethiopia Train Station
- 18 Fiko Restuarant

HEALTH BUILDING PROJECTS

- 00 Eskisehir, Acibadem Hospital
- 01 Maltepe, Dental Clinic

EDUCATION CENTER BUILDINGS

- 00 Nazarbayev University
- 01 Algeria, Constantine University
- 02 Arçelik Ar-Ge Building

PUBLIC PROJECTS

- 00 Ankara, Recreation Area
- 01 Kayasehir, Recreation Area
- 02 Kazakhstan, Arena Stadium
- 03 Kazakhstan, Shopping Mall
- 04 Kazakhstan, Turkish Republic Embassy Building
- 05 Kazakhstan, Ice Rink

HOTEL PROJECTS

- 00 Bostancı, Dedeman Hotel
- 01 Florya, Crowne Plaza Hotel

PROJECTS - VISION

HOUSING PROJECTS

00 | Vadi Istanbul Social Housing



01 | Teknik Structure, Metropark Social Housing



PROJECTS - VISION

02 | Newista Residence



06 | Relux RFF 35



PROJECTS - VISION

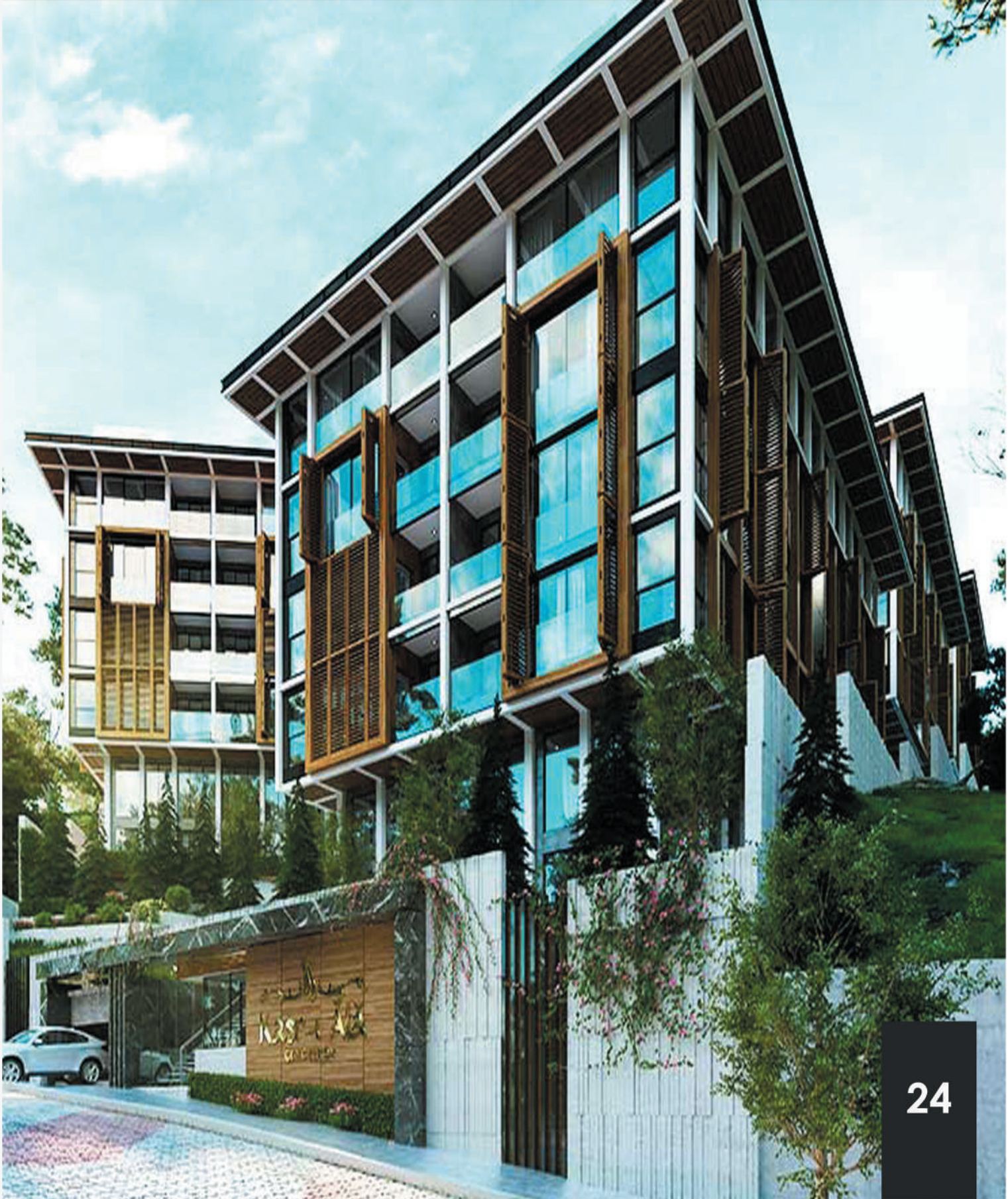
HOUSING PROJECTS

07 | Relux RSO 50



PROJECTS - VISION

10 | Kasrı Ala Cengelkoy Social Housing



PROJECTS - VISION

COMMERCIAL BUILDING PROJECTS

01 | TEM 34 Commercial Center



06 | Magma Automotive Factory

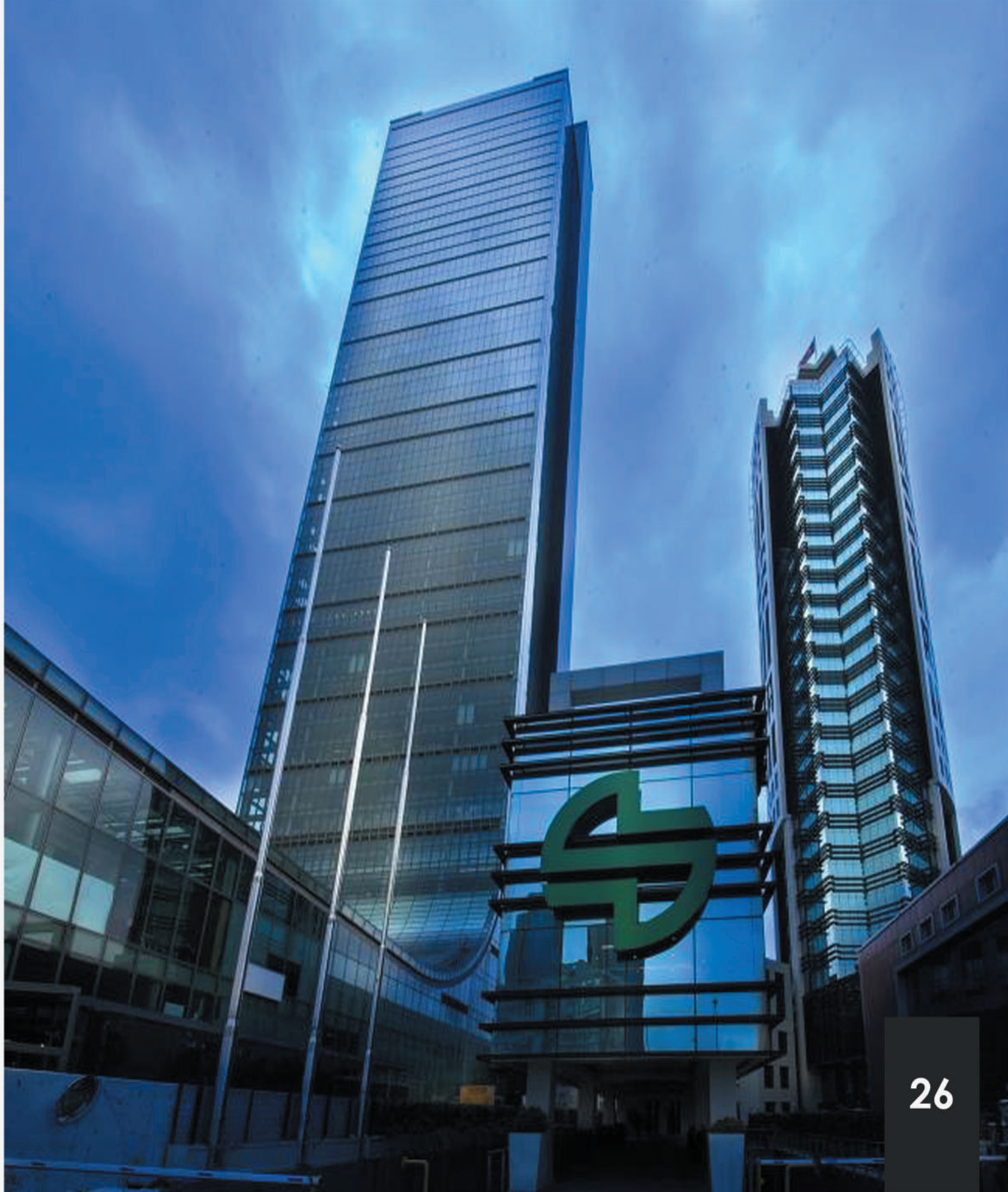


25

PROJECTS -VISION

07 | Levent, Promesa / Şekerbank

- Ground floor, curtain wall works



PROJECTS -VISION

COMMERCIAL BUILDING PROJECTS

08 | Makyol Central Project (Social Housing & Commercial Building)



10 | Atasehir, Emlak Konut Headquarters Building





PROJECTS - VISION

COMMERCIAL BUILDING PROJECTS

14 | Alsin - Alarko Water Treatment Facility



PROJECTS -VISION

HEALTH BUILDING PROJECTS

00 | Eskisehir, Acibadem Hospital



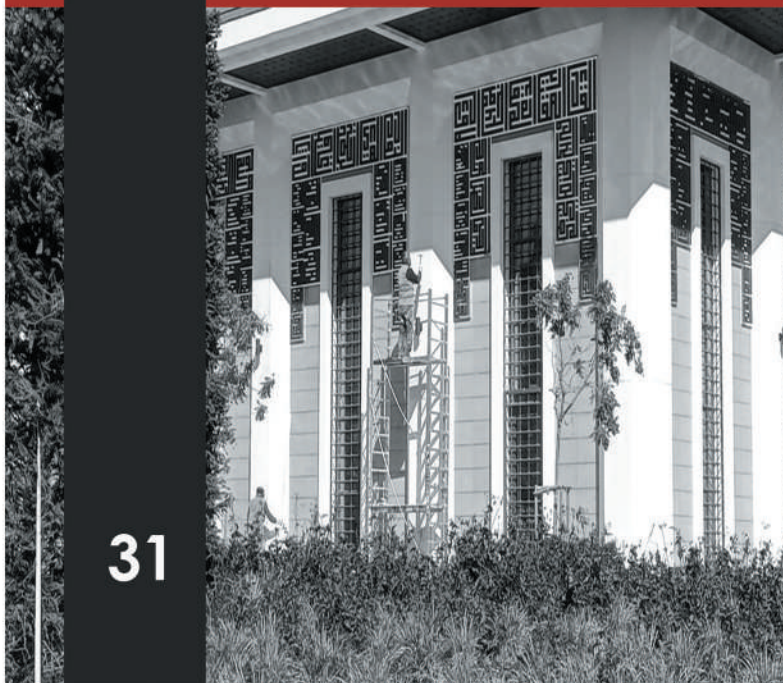
PROJECTS - VISION

EDUCATION CENTER BUILDINGS

00 | Astana, Kazakhstan Nazarbayev University



Ankara Recreation Area



PROJECTS -VISION

PUBLIC PROJECTS

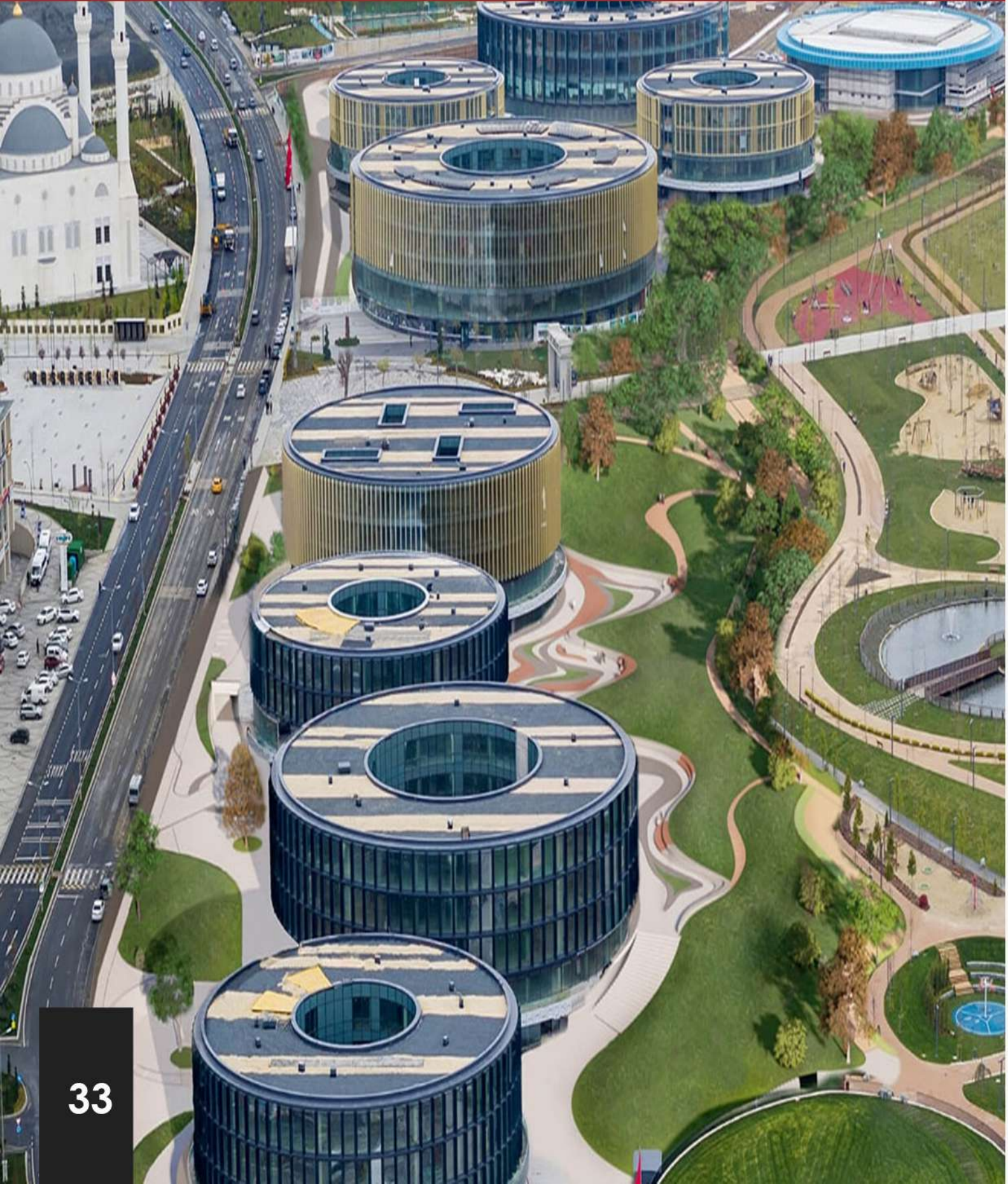
00 | Ankara, Recreation Area



PROJECTS - VISION

PUBLIC PROJECTS

01 | Kayasehir Recreation Area



PROJECTS - VISION

02 | Astana, Kazakhstan Arena Stadium



03 | Astana, Kazakhstan Shopping Mall



PROJECTS - VISION

PUBLIC PROJECTS

04 | Kazakhstan Turkish Republic Embassy Building



PUBLIC PROJECTS



05 |

- Astana, Kazakhstan Ice Rink



PROJECTS - VISION

HOTEL PROJECTS

00 | Bostancı Dedeman Hotel Project

01 | Florya, Crowne Palaza Hotel



VISION
ARCHITECTURAL FACADE LTD.

Ferhatpasa Nb. Maresal Fevzi
Cakmak St. No:12/4 Atasehir
Istanbul
TURKEY

TEL:+90 216 206 04 05
www.visionfacade.com.tr
info@visionfacade.com.tr